

STEP 4 OF ASSEMBLY INSTRUCTIONS FOR BOTH THE NEXT BED CLASSIC AND F-200 MODELS.
 SECURING FLOOR YOKE ASSEMBLY TO BOTTOM (METAL TRACK OR WOOD PLATE) FRAME AND/OR CONCRETE

Next Bed Models - Wall Frame Fastener(s)

Next Bed F-200 Model Includes:

2-3/4" Wood Screw for Bottom (Wood Plate) Frame (8 pcs)



Next Bed Classic Model Includes:

3" Wood Screw for Bottom (Wood Plate) Frame (8 pcs)



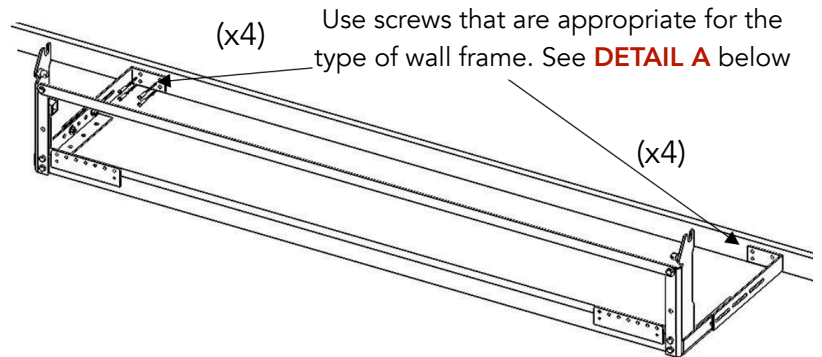
Next Bed Classic & F-200 Model:

Please call customer service 1-833-639-8233 for:
 3" Self-tapping Screw for Bottom (Metal Track) Frame (8 pcs)

OR



Position the Floor Yoke Assembly against the wall desired for installation. Attach the assembly to the wall using 8 of either the wood or metal stud screws that are appropriate for the type of wall frame. Each screw must go into the Bottom Frame stud at the base of the wall.



Next Bed Models - Concrete Floor Mounting Kit

Please call customer service 1-833-639-8233 for:

TAPCON BLUE 1/4 in. x 2-3/4 in. Hex-Washer-Head Concrete Anchor (6 pcs)



UAB Washer to spread the load across a wider area. (6 pcs)



8mm Hex Nut Drive Bit (1 pc)

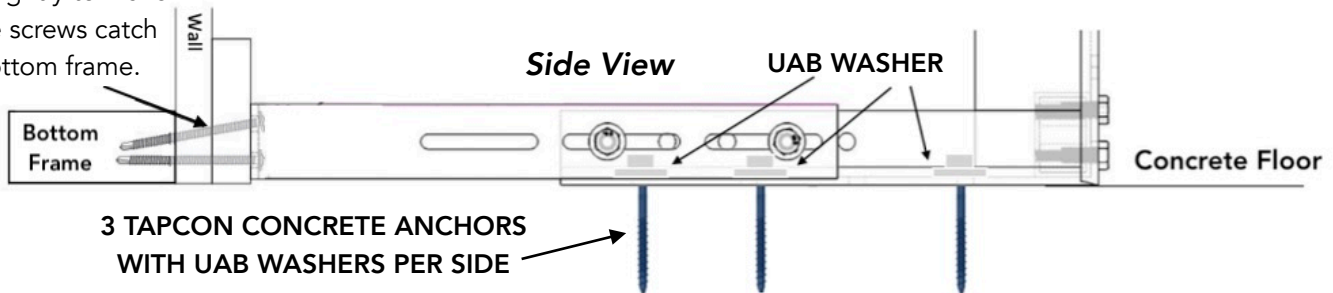
TAPCON 3/16 in. x 4-1/2 in. Steel Carbide Tip Masonry Drill Bit (1 pc)



DETAIL A

Angle the upper wood or self-tapping metal screws slightly to make sure the screws catch the bottom frame.

Drill six 3/16 inch holes (3 per side) into concrete. Drive 3 Tapcon concrete anchors each with a UAB Washer through each Floor Yoke and into concrete and tighten.



Warning! The NEXT BED MODELS contains stored energy. Failure to use and follow these instructions during the installation process could result in severe personal injury to the user or damage to the product.

Murphy Wall Bed Systems and International Murphy Beds Inc. shall not be liable for any fastening failure due to improper installation or defective substrate material. WARNING! Step 4 is critical for safe operation of NEXT BED MODELS.

Please contact customer service Toll Free at 1-833-639-8233 for questions.